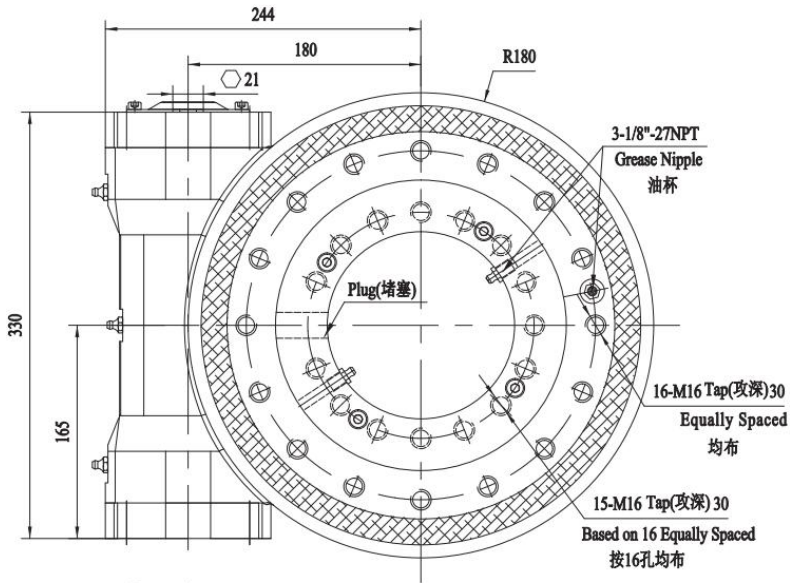
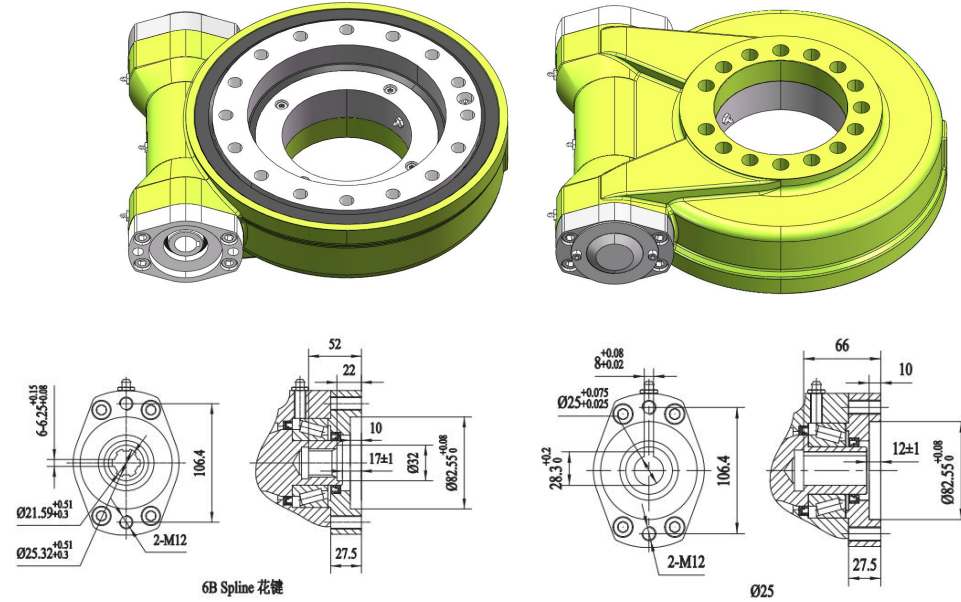
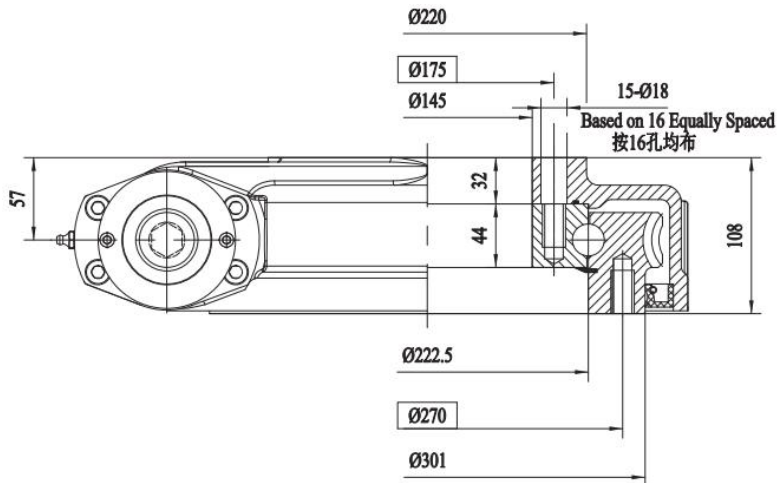


WEA9



Input
输入端



项目/Item WEA9	数值 Value	单位 Unit
输出转矩/Output Torque	8	kN.m
倾覆力矩/Tilting Moment Torque	35.6	kN.m
保持力矩/Holding Torque	38.7	kN.m
轴向静载荷/Static Axial Rating	578	kN
径向静载荷/Static Radial Rating	215	kN
轴向动载荷/Dynamic Axial Rating	136	kN
径向动载荷/Dynamic Radial Rating	115	kN
减速比/Gear Ratio	62:1	—
精度等级/Tracking Precision	≤0.15	°
重量/Weight	53	kg

载荷曲线图/MOMENT LOAD CHART

