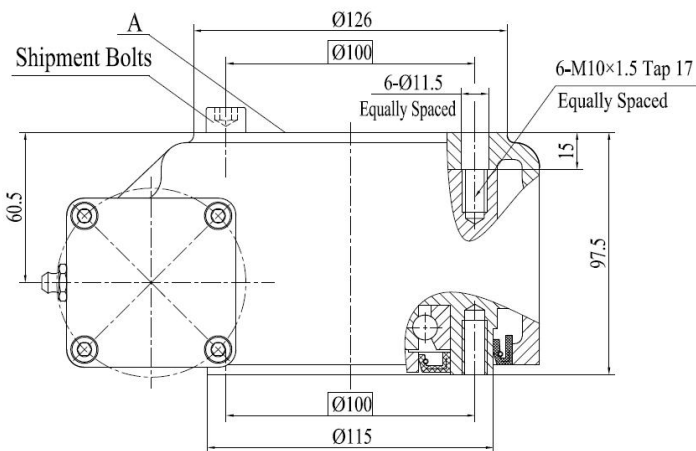
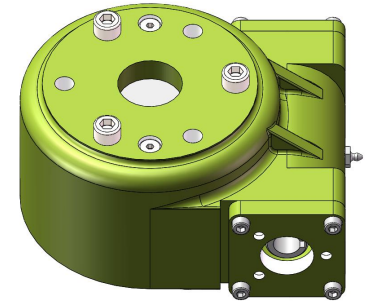
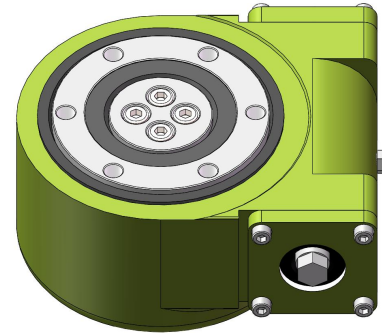
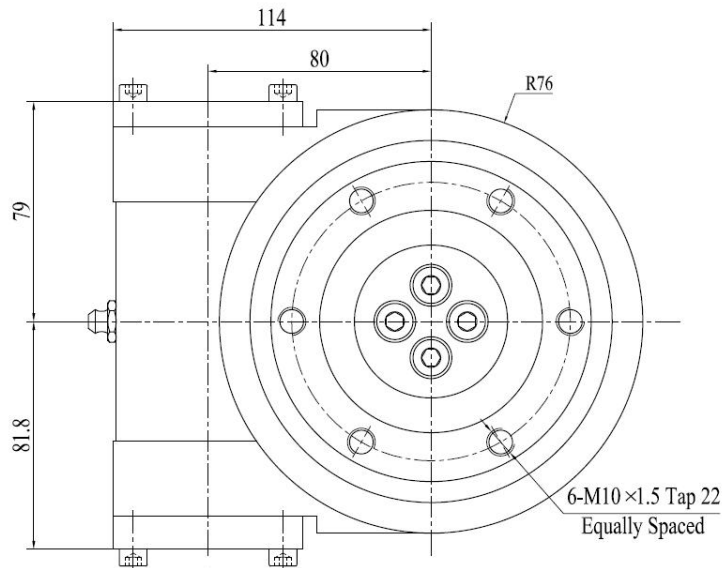


## SE3&PE3



项目/Item SE3&PE3	数值 Value	单位 Unit
输出转矩/Output Torque	400	N.m
倾覆力矩/Tilting Moment Torque	1100	N.m
保持力矩/Holding Torque	2000	N.m
轴向静载荷/Static Axial Rating	30	kN
径向静载荷/Static Radial Rating	16.6	kN
轴向动载荷/Dynamic Axial Rating	9.6	kN
径向动载荷/Dynamic Radial Rating	8.4	kN
减速比/Gear Ratio	62:1	—
精度等级/Tracking Precision	≤0.2 ≤0.12/0.15	°
重量/Weight	12	kg

载荷曲线图/MOMENT LOAD CHART

