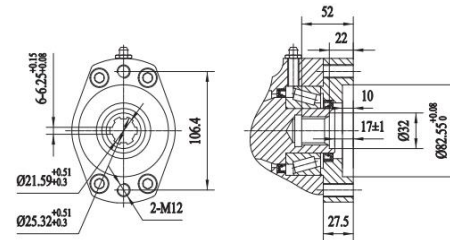
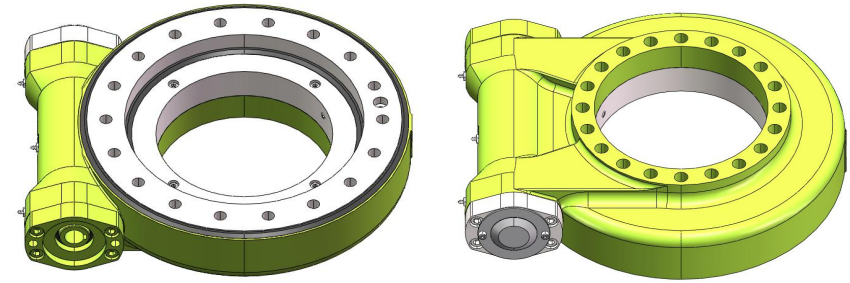
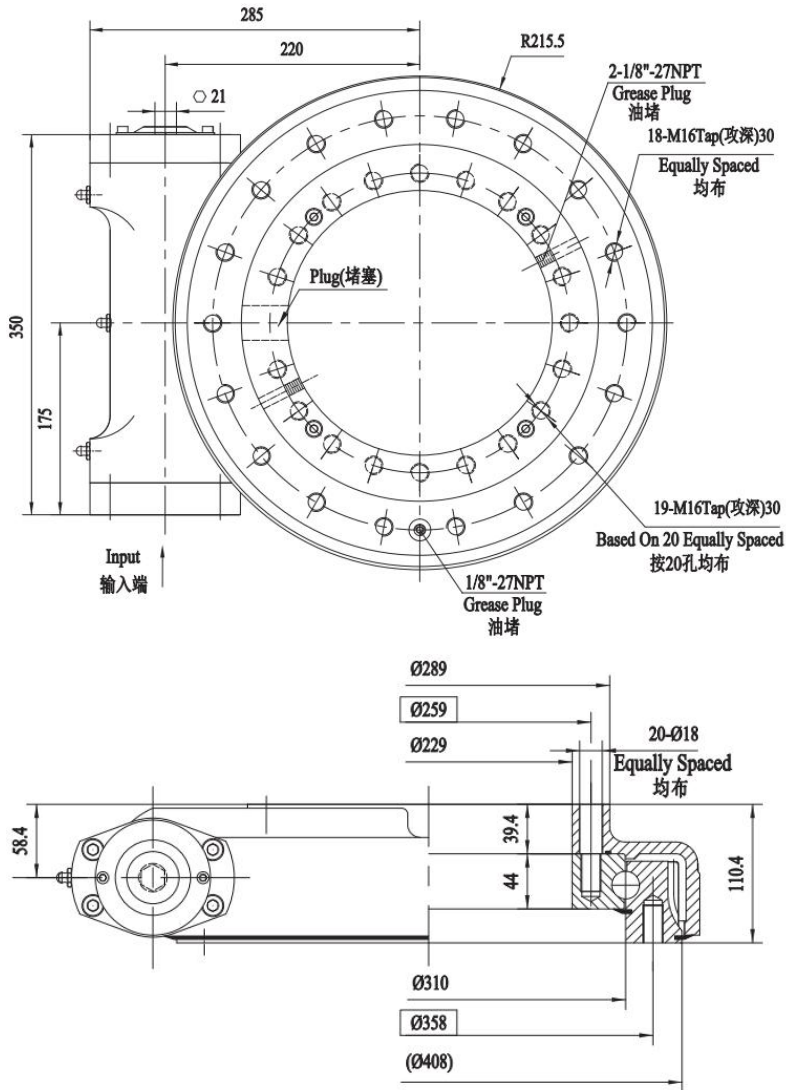
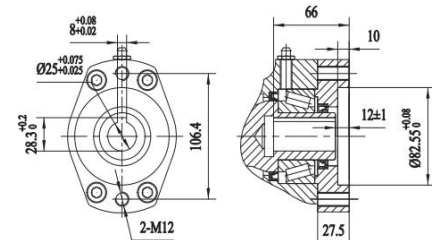


SE12&PE12



6B Spline 花键



Ø25

项目/Item	数值	单位
SE12&PE12	Value	Unit
输出转矩/Output Torque	7.5	kN.m
倾覆力矩/Tilting Moment Torque	54.3	kN.m
保持力矩/Holding Torque	43	kN.m
轴向静载荷/Static Axial Rating	475	kN
径向静载荷/Static Radial Rating	190	kN
轴向动载荷/Dynamic Axial Rating	114	kN
径向动载荷/Dynamic Radial Rating	100	kN
减速比/Gear Ratio	78:1	—
精度等级/Tracking Precision	≤0.17 ≤0.05/0.07	°
重量/Weight	61	kg

载荷曲线图/MOMENT LOAD CHART

